

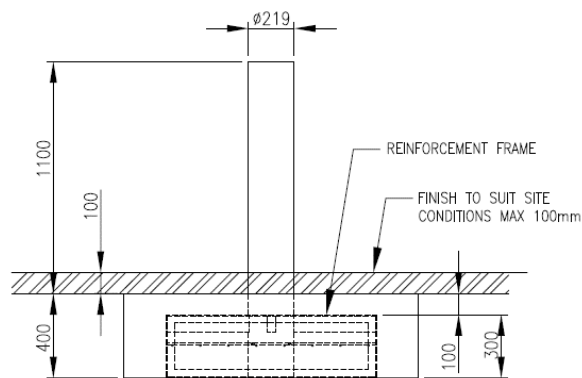
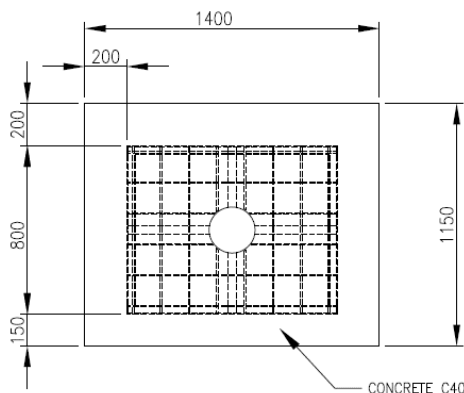


PAS68 Static Bollards – APT30SH



Eagle Automation have a full and wide range of PAS68 tested bollards. Our static bollard range includes the world's first surface mount bollard – 30SM, an ultra-shallow foundation bollard – 40SH, a shallow foundation single unit bollard – 30SH and mid depth foundation bollards – 30/40/50ST. We also offer a range of different diameters with many of our bollards having removable options. Automated products include full depth & shallow foundation rising bollards with Zero penetration at 30mph – 30A, 30AT, and a full depth 50mph bollard – 50A.

- PAS68: V/7500[N2]/48/90:1.1/0.0
- Bollard tested as a single unit with N2 7.5ton vehicle at 30mph / 48kmh
- Diameter: 219mm
- Height: 1000mm above FFL
- Finish: Painted / Optional Stainless Steel Sleeve
- Supplied pre-fabricated with foundation cage, no additional re-bar required
- Foundation: 400mm, plus allowance for 100mm topping
- Static fixed and removable options



Raising Standards
Safety Assured

