

DRG.No. 1491-200-DB

USED ON

QUOTATION ONLY

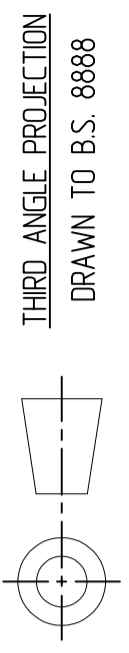
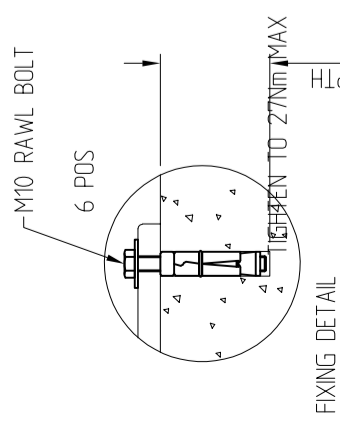
EAGLE AUTOMATION LIMITED
RESERVE THE RIGHT TO MODIFY
THE DESIGN WITHOUT NOTICE

(OMITTING CANOPY FOR CLARITY)
SELECTED HIDDEN DETAIL
OMITTED FOR CLARITY

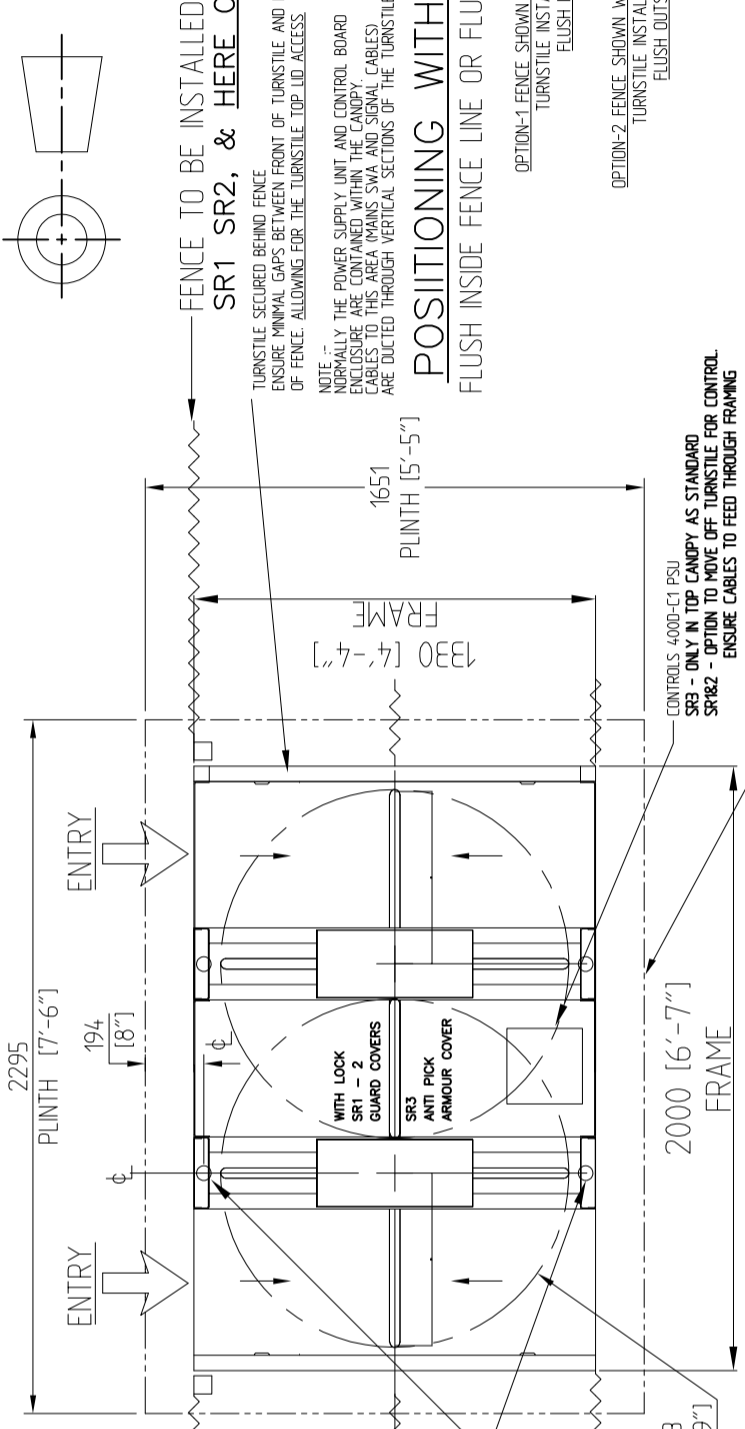
DESIGN RIGHTS

INTELLECTUAL PROPERTY OF EAGLE AUTOMATION SYSTEMS LIMITED
COPYRIGHT © NOT TO BE COPIED WITHOUT PERMISSION
WARNING - SOME EAGLE AUTOMATION LIMITED PRODUCTS ARE ALSO THE
SUBJECT OF PATENT PROTECTION

SECURITY RATING	PART NO AS DRAWING NO	THE TURNSTILE WALKWAY INFILL OPTIONS	REV
SR3	'1491-213-SFA'	SINGLE FULL HEIGHT SECURITY T/S WITH 'STRAIGHT BAR-FILLED ARMOR' ROTOR ARMS	1
SR2	'1491-212-SF'	SINGLE FULL HEIGHT SECURITY T/S WITH 'STRAIGHT BAR-FILLED' ROTOR ARMS	1
SR1	'1491-211-S'	SINGLE FULL HEIGHT SECURITY T/S WITH 'STRAIGHT BAR' ROTOR ARMS	1

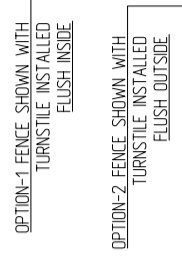


THIRD ANGLE PROJECTION
DRAWN TO B.S. 8888



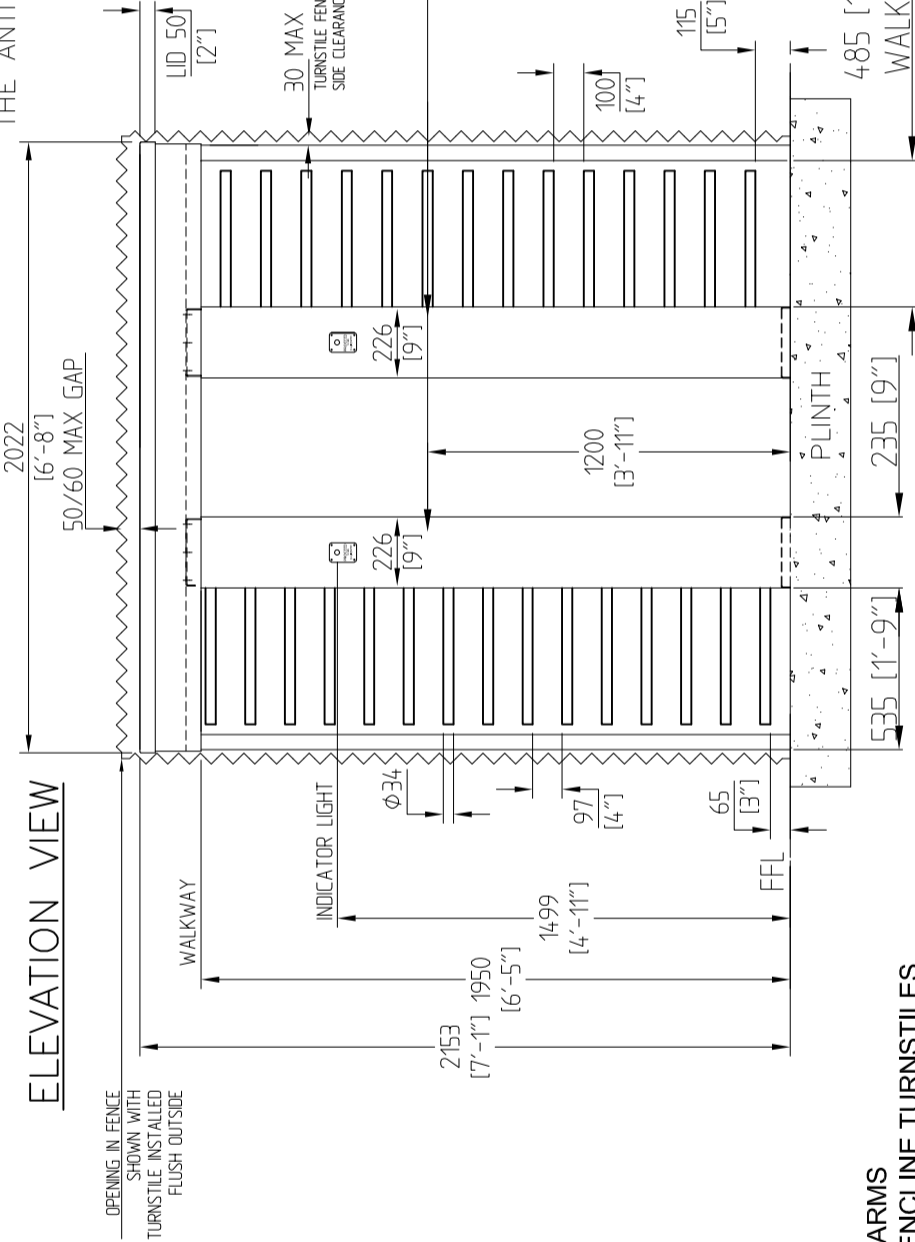
FENCE TO BE INSTALLED
SR1 SR2, & HERE ONLY FOR SR3
TURNSTILE SECURED BEHIND FENCE
ENSURE MINIMAL GAPS BETWEEN FRONT OF TURNSTILE AND INSIDE
OF FENCE. ALLOWING FOR THE TURNSTILE TOP LID ACCESS.
NOTE - NORMALLY THE POWER SUPPLY UNIT AND CONTROL BOARD
ENCLOSURE ARE CONTAINED WITHIN THE CANOPY. CABLES
TO THIS AREA (MANS SWA AND SIGNAL CABLES)
ARE DUCTED THROUGH VERTICAL SECTIONS OF THE TURNSTILE.

POSITIONING WITH FENCELINE
FLUSH INSIDE FENCE LINE OR FLUSH OUTSIDE FENCE LINE

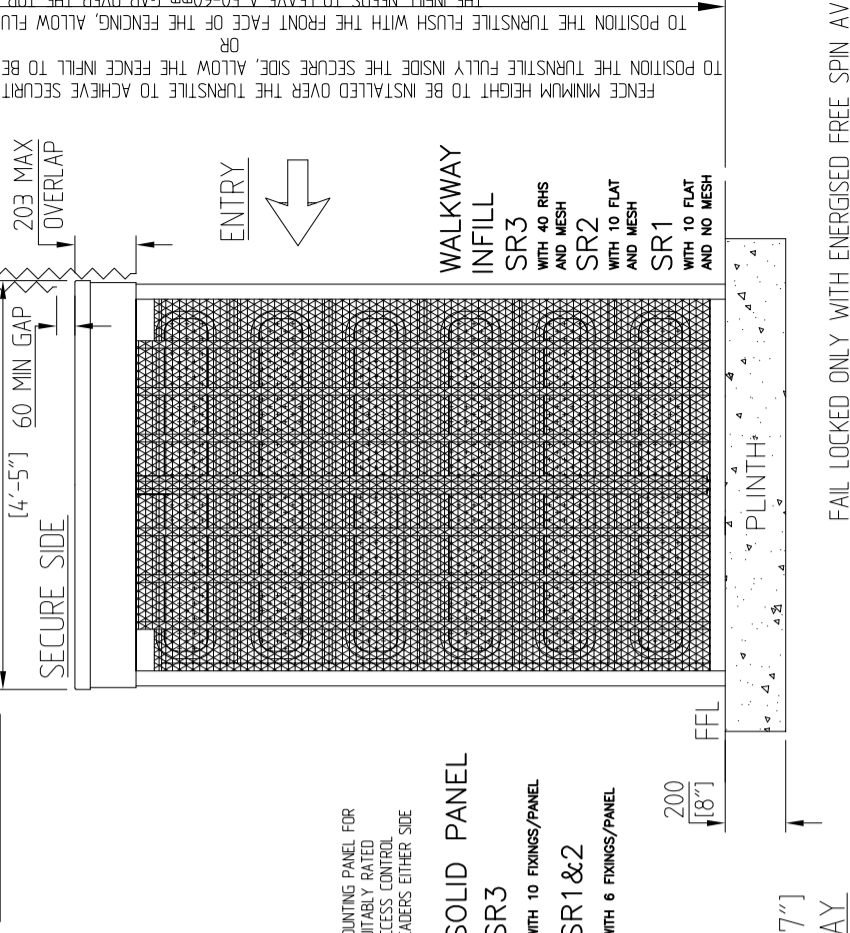


CONTROLS 4000-C1 PSU
SR3 - ONLY IN TOP CANOPY AS STANDARD
SR1&2 - OPTION TO MOVE OFF TURNSTILE FOR CONTROL.
ENSURE CABLES TO FEED THROUGH FRAMING
CONCRETE PLINTH
C27-C35 PAV1 OR EQUIVALENT TO
THE ANTI DIG ON EXISTING FENCING

ELEVATION VIEW



SIDE VIEW



NOTE:
THIS DESIGN LAYOUT HAS TIGHT GAPS BETWEEN ROTOR ARMS
AND IS BASED ON THE REQUIREMENTS FOR SECURITY FENCELINE TURNSTILES.

PROTECTIVE FINISH	MATERIAL	STORES REF.	BASED ON	S SF SFA
TOLERANCES FOR DIMENSIONS				
DIMS. SHOWN THUS	>449	±1		
DIMS. SHOWN THUS	1	±0.4		
DIMS. SHOWN THUS	10	±0.15		
DIMS. SHOWN THUS	100	±0.05		
UNLESS OTHERWISE STATED				
ALL DIMENSIONS IN MILLIMETRES				
1	18.08.18	CONTROL BOX POSITION CLARIFIED		
A	29.05.18	INITIAL ISSUE		
ISSUE DATE		CHANGE NOTE		
DRAWN	M.D.K	CHECKED	CERTO.	SCALE N.T.S



MATERIAL
STORES REF. BASED ON '1491 - S SF SFA'

TITLE
DOUBLE FULL HEIGHT SECURITY TURNSTILE
FAIL LOCKED ONLY WITH ENERGISED FREE SPIN AVAILABLE

A3

DRG.No.
1491-200-DB

SR1 / SR2 = NO ADDITIONAL FENCING HEIGHT OVER THE TURNSTILE REQUIRED
SR3 UP TO 2.4M MINIMUM